



# OSPICO SKIIMER VACCUM TRUCK SVT-3000

## GENERAL DESCRIPTION

OSPICO™ Skimmer Vacuum Truck SVT-3000 is designed for refinery and gas stations. The Skimmer Vacuum Truck should be manufactured according to ISO 9001:2000 procedures. It is equipped with 3000 liters storage tank and emergency boom for oil recovery. There are three types of skimmers for various types of oil and situations, those are, Disc skimmer Head, Mini Weir Skimmer head, and Delta Mantaray skimmer head.



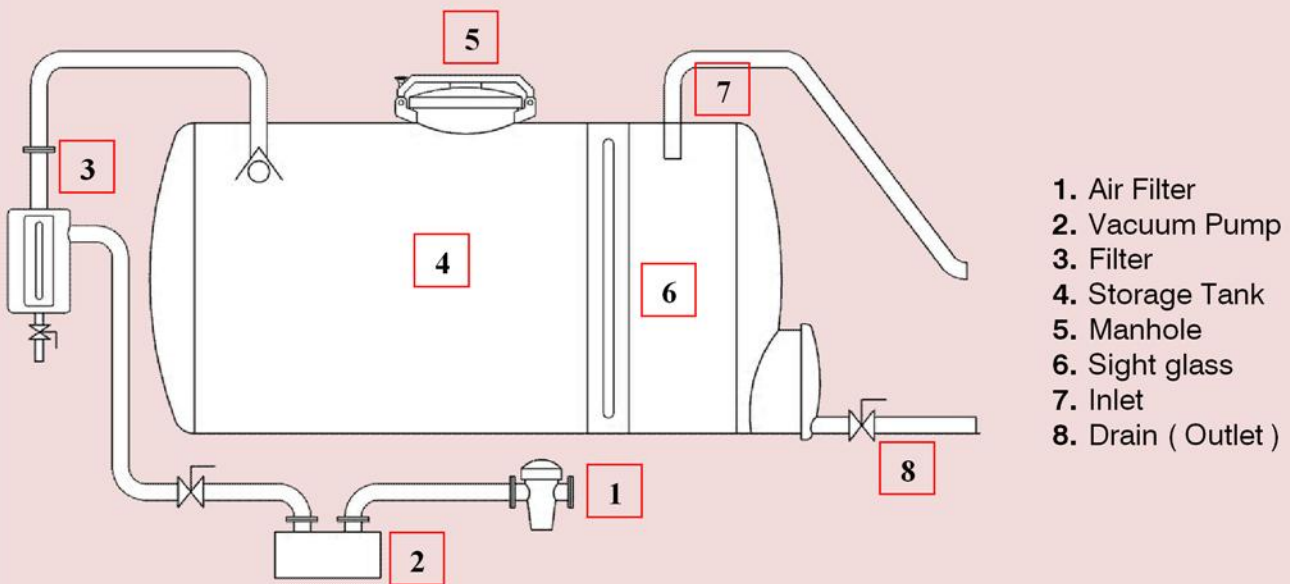
### Skimmer Vaccum Truck

SVT-3000 is constructed on a Mitsubishi chassis and engine, with a gross weight of 8,5 tons. The tank is made of mild steel or stainless steel with a capacity of 3000 liters. The truck tank is equipped with a side glass to help monitor liquid level. Trash and debris screen installation inside the tank is optional

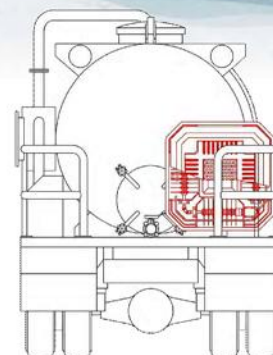
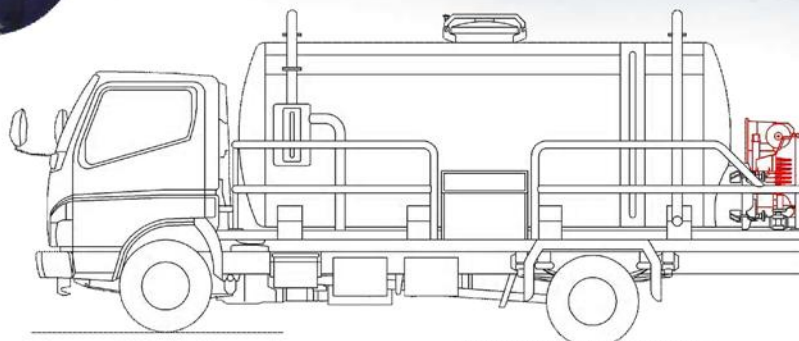
### Skimmer System

The three types of light weight skimmer heads are not more than 42 kgs each, making them all portable, easy to deploy, operate, and maintain. Each skimmer is unique to suit different areas and oil spill. All three will be installed on board of the truck for rapid deployment.

## Flow Diagram Vaccum System



# PT. BLUE OCEAN SEJAHTERA



<b>CONSTRUCTION</b>	
Truck Type	FE Super HD 136 PS
Brand	Mitshubishi
GVW	8000 Kgs
Engine Type	Diesel engine 4 stroke, Direct injection With Turbo Intercooler
Vacuum Tank Material	Mild Steel
Vacuum Flow	3000 lpm
Max Vacuum	90%
<b>EMERGRNCY BOOM</b>	
Type	Inflatable boom OSIB 700
Length per section	30 feet
Overall length	120 feet
Skirt material	Neoprene
Type of connector	Universal Connector ASTM – F962
Boom Over All	29.53 inches
Freeboard	7.87 inches
Draft	13.78 inches
<b>DISC SKIMMER</b>	
No Disc	28 in 4 Bank of 7 Disc
Disc speed	Variable in 0 ~ 180 rpm
Body	Fibber Glass filled with Polyurethane
Capacity	17 ton/hours
Weight (Max)	30 kgs
Dimension L x W x H	28 inches x 28 inches x 15 inches
Operating draft	17.51 inches
<b>MINI WEIR SKIMMER</b>	
Material	Fibber Glass filled with Polyurethane
Capacity	8 ton/hours
Oil Recovery	Four side
Suction Direction	Up or Side
Dimension	23 inches x 23 inches x 8 inches
Net Weight	9 kgs
<b>DELTA MANTARAY SKIMMER</b>	
Type	Delta
Material	Fibber Glass
Dimension	Ø 32 inches
Capacity	Up to 25 tons/hours
<b>HOSES</b>	
Discharge	50 feet length Ø 2 inches layflat hose with Release Coupling to Vacuum Truck
Suction	50 feet length Ø 2 inches flexible hose with Release Coupling to skimmer head
Hydraulic Hose	2 x 50 feet length Ø 3/8" with Quick Release Coupling to Disc Skimmer Head and Power Pack

## OPERATION

SVT-3000 Power take off (PTO) from truck engine located at transmission to drive a Vacuum pump and hydraulic system.

## PROTECTION SYSTEM

Standard Protection System is provided from the diesel engine system and Spark arrestor for added safety features.

## SPECIAL FEATURES

- Overfill ball valve with manway pressure relief valve
- Moisture trap with silencer
- Quick release coupling
- Dial gauge level indicator with sight glass.
- Water filtration system.
- Side mounted tray with locke toolbox
- Storage for oil Boom
- Rotating beacon light.
- Rear control panel for system control
- Manhole quick opening